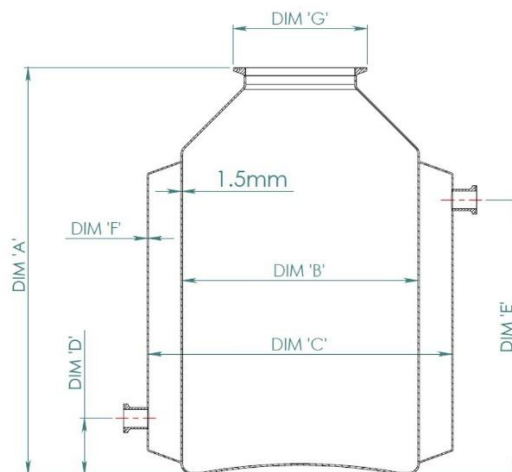


**1. Part Number:** A746-15

**2. Photograph:**



### 3. Product Information:

Description:	Jacketed Container 15L
Materials of Construction:	- Body: 316L stainless steel - Lid: 316L stainless steel - Clamp: 304 stainless steel - Gasket: Silicone (FDA acceptable grade)
Method of Construction:	All welds ground and polished Crevice free interior
Surface Finish:	Better than 0.5 microns Ra
Nominal Volume:	15 Litres
Dimensions:	A = 361mm B = 270mm C = 300mm D = 40mm E = 250mm F = 1.5mm G = 119mm
Neck / Lid Size:	4" BS4825-3
Jacket Inlet/Outlet Size:	Compatible with 1" and 1.5" tri-ferrule connections BS4825-3



BSE/TSE statement:

All polishing compounds used in the manufacture of this product are of vegetable origin.

Weight:

8.3 Kg (body + lid + gasket + clamp)

Recommended Storage Conditions:

Dry and ambient temperature

#### 4. Approval:

Signed:



Name: Kuldeep Flora

Position: Quality Manager

Date: 8-Jan-25